

Manual for the axial fan with a timer Solight AV02



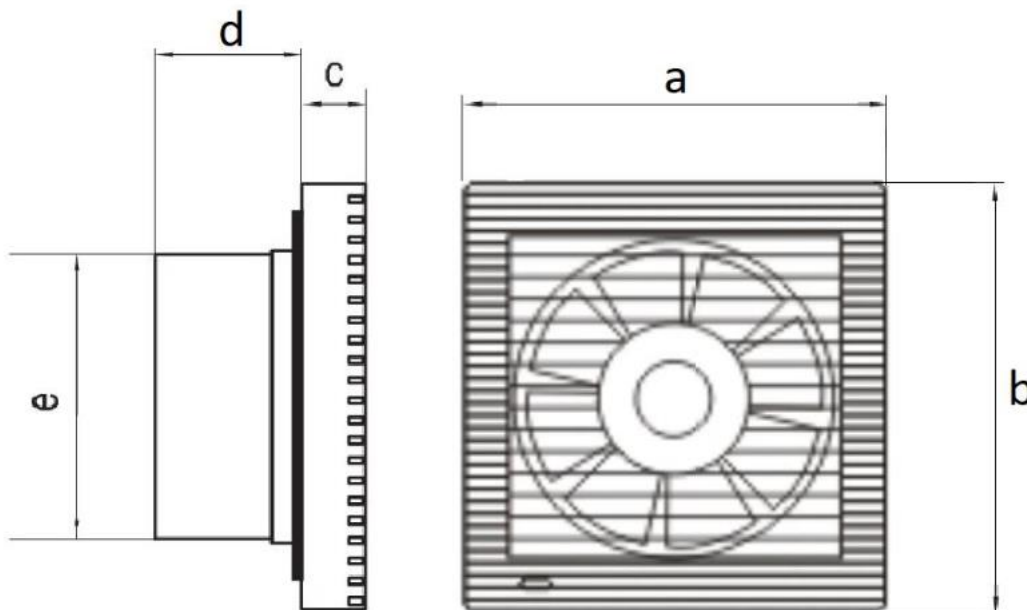
Dear customer, we would like to thank you for purchasing our product. To ensure that the product serves you safely and to your full satisfaction, please read and follow the following instructions. This will prevent incorrect use or damage to the product. Avoid non-professional treatment of equipment and always follow the general principles of using electrical appliances. The product is intended for use in the home or interior. Avoid contact with fluids. Keep the manual for future reference.

Basic information

The fan shall be installed by an expert, at a height of 2.3 m above the ground. The power cable needs to be connected according to the applicable standards. Do not place the fan in places with elevated temperatures. If the power cable is damaged, it must be professionally replaced. It is not intended for an environment with the possibility of flammable or explosive gases. For internal use only. IP20 degree of protection. Suitable for kitchens, shops, toilets, bathrooms, etc. The fan can be equipped with a **Solight AV-K** reversing flap.

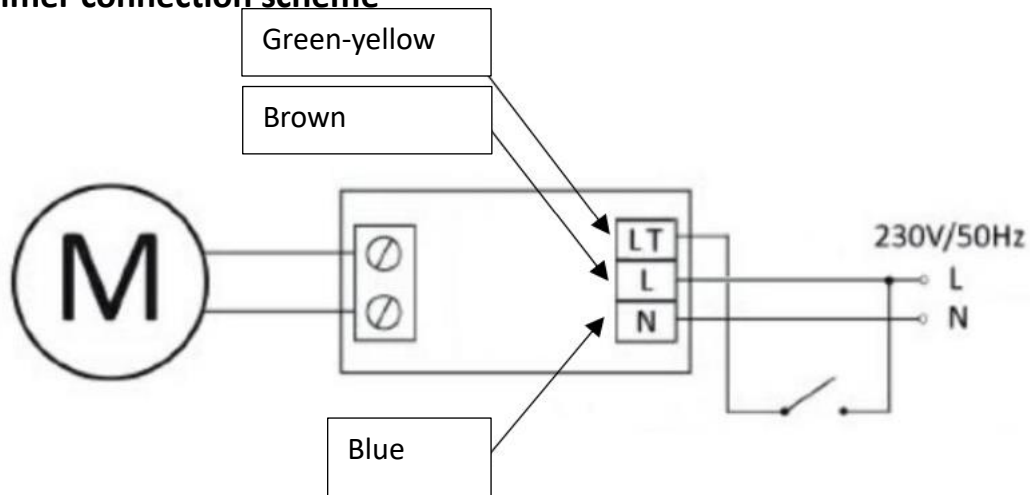
Specifications

Type	Specification	Power supply	Power consumption	Airflow	Noise level	Basic installation dimension A (mm)	Other dimensions (mm)				
	mm	V/Hz	W	m3/h	dB		a	b	c	d	e
AV02	100	230/50	13	120	40	100	157	157	25	60	97

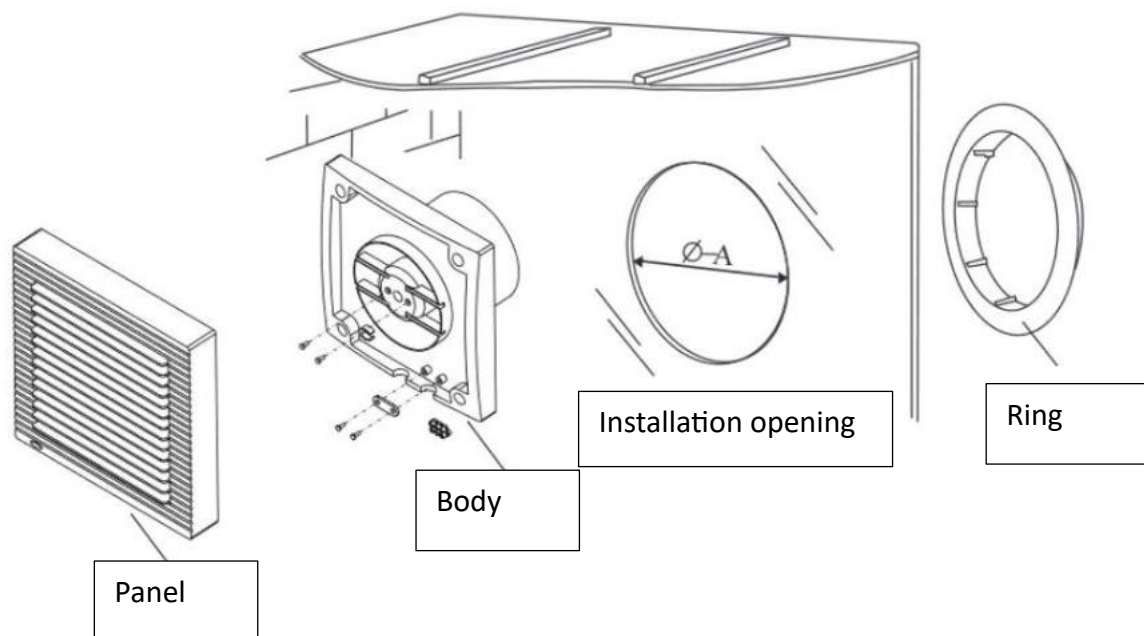


Timer: A red light is switched on when the fan is switched on. When the fan is turned off, the light is turned off, but the timer keeps the fan running according to the timer settings. Under the cover is a timer that can be set to 1, 5, 10, 15, and 20 min using a trimmer.

Timer connection scheme



Installation



The product bears a CE declaration of conformity in accordance with applicable regulations. Can be requested from the manufacturer via: info@solight.cz.

Manufacturer: Solight Holding, s.r.o., Na Brno 1972, Hradec Králové 500 06, Czech Republic.